



# ARM10 Flyback Transformer

ARM10-4770

- ARM10 Core Package
- Through Hole Design
- Operating Temperature Range: -40°C to +85°C



## Electrical Specifications @25°C

Inductance @100KHz, 1.0V	Leakage Inductance @100KHz, 1.0V	DC Resistance (mΩ Max)			Turns Ratio
(1 - 3)	Short other pins	(1 - 3)	(6 - 5)	(8,9 - 10,11)	(1 - 3) : (6 - 5) : (8,9 - 10,11)
444μH ±10%	12.0μH Max	488	20	50	1 : .111 : .244

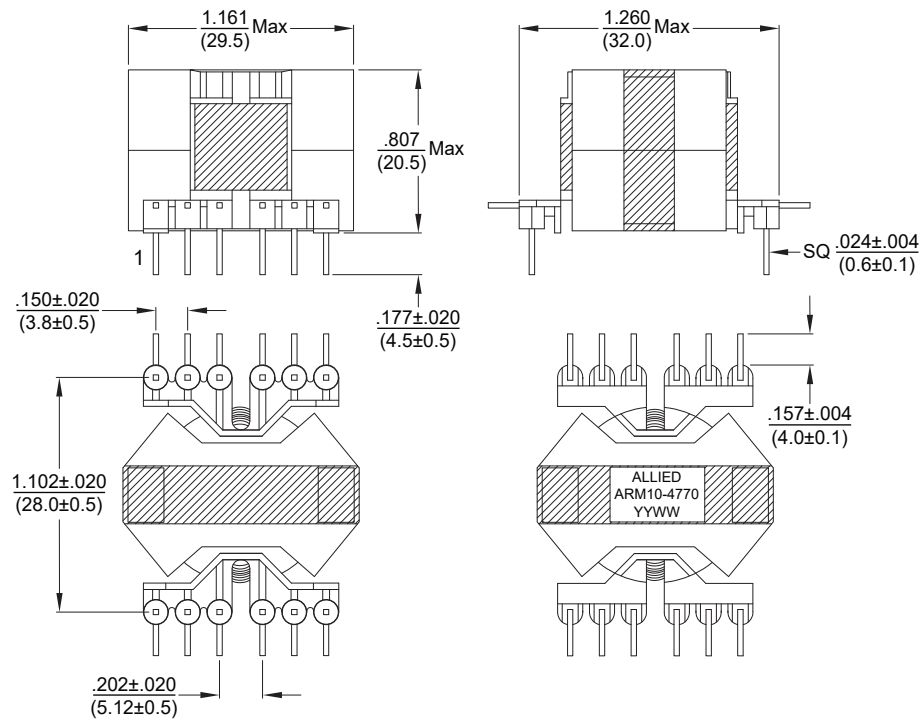
## Electrical Specifications @25°C

Hi-Pot (50Hz/60Hz) 5mA, 1Sec			Insulation Resistance 100MΩ Min		
Pri - Sec	Pri - Core	Sec - Core	Pri - Sec	Pri - Core	Sec - Core
3000Vac	1500Vac	3000Vac	500Vdc	500Vdc	500Vdc

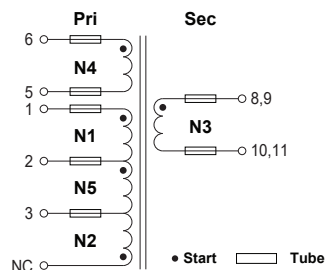
## MECHANICAL

All specifications subject to change without notice

Dimensions:  $\frac{\text{inch}}{\text{mm}}$



## SCHEMATIC



## WINDING CONSTRUCTION

