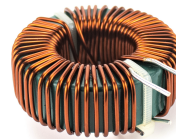




VERTICAL MOUNT COMMON MODE CHOKE VCM5222-743-15A



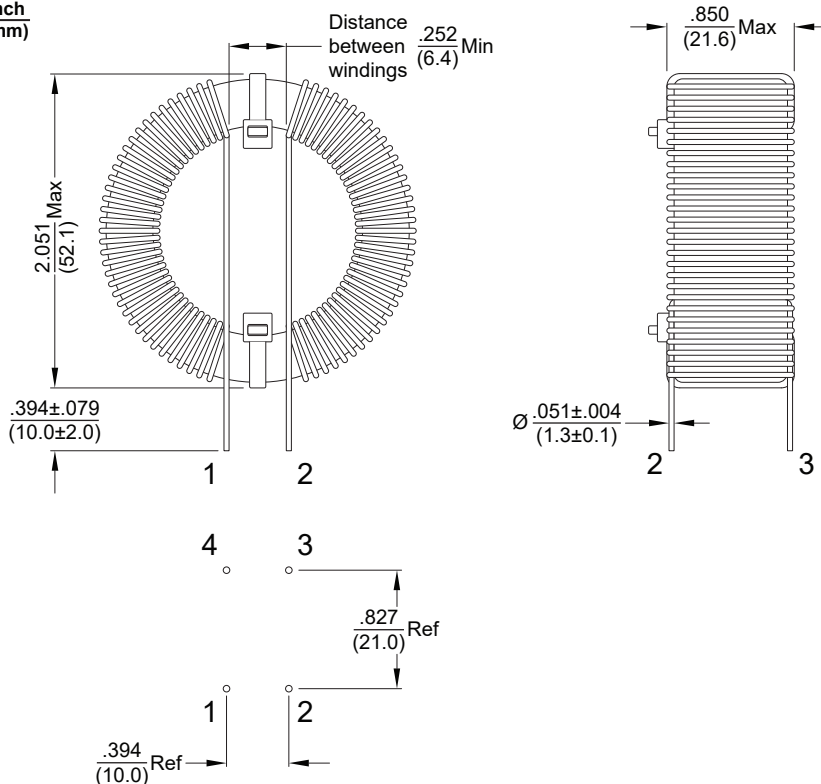
- Operating Temperature Range: -40°C to +125°C
- Storage Temperature Range: -20°C to +60°C
- Class F Varnish dip after assembly, prior to tinning

Electrical Specifications @25°C			
Inductance @ 10KHz, 0.1V (1-4) = (2-3)	DC Resistance (mΩ) Max (1-4) = (2-3)	HiPot 50Hz / 5mA Max / 2Sec	Rated Current (A)
		Wdg - Wdg	
7.43mH Min	30	1500VAC	15

All specifications subject to change without notice.

MECHANICAL

Dimensions:  $\frac{\text{inch}}{\text{mm}}$



Recommended PCB Layout

SCHEMATICS

