

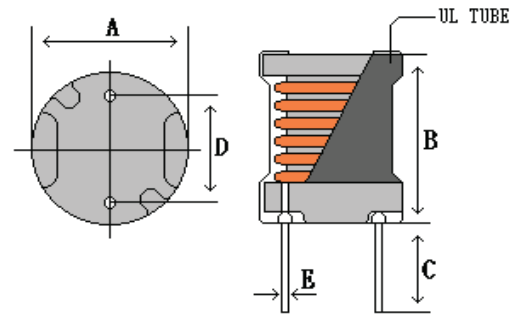


Radial Leaded RF Inductors

RB855

Dimensions: (mm)

A: 7.8 ± 0.5
 B: 5.5 Max
 C: 5.0 ± 1.0
 D: 5.0 ± 0.3
 E: $0.7 \pm 0.1 - 0.05$



| Allied Part Number | Inductance (μ h) | Tolerance | Test Freq | DCR (Ohms) Max | Rated Current (mA) |
|--------------------|-----------------------|-----------|-----------|----------------|--------------------|
| RB855-100M-RC | 10 | 20% | 2.52 MHz | 0.07 | 2500 |
| RB855-120M-RC | 12 | 20% | 2.52 MHz | 0.08 | 2400 |
| RB855-150M-RC | 15 | 20% | 2.52 MHz | 0.09 | 2100 |
| RB855-180M-RC | 18 | 20% | 2.52 MHz | 0.10 | 2000 |
| RB855-220K-RC | 22 | 10% | 2.52 MHz | 0.12 | 1700 |
| RB855-270K-RC | 27 | 10% | 2.52 MHz | 0.14 | 1600 |
| RB855-330K-RC | 33 | 10% | 2.52 MHz | 0.17 | 1400 |
| RB855-390K-RC | 39 | 10% | 2.52 MHz | 0.21 | 1300 |
| RB855-470K-RC | 47 | 10% | 2.52 MHz | 0.24 | 1200 |
| RB855-560K-RC | 56 | 10% | 2.52 MHz | 0.31 | 1100 |
| RB855-680K-RC | 68 | 10% | 2.52 MHz | 0.34 | 1000 |
| RB855-820K-RC | 82 | 10% | 2.52MHz | 0.40 | 930 |
| RB855-101K-RC | 100 | 10% | 1 KHz | 0.52 | 810 |
| RB855-121K-RC | 120 | 10% | 1 KHz | 0.59 | 760 |
| RB855-151K-RC | 150 | 10% | 1 KHz | 0.71 | 670 |
| RB855-181K-RC | 180 | 10% | 1 KHz | 0.89 | 620 |
| RB855-221K-RC | 220 | 10% | 1 KHz | 1.04 | 540 |
| RB855-271K-RC | 270 | 10% | 1 KHz | 1.28 | 490 |
| RB855-331K-RC | 330 | 10% | 1 KHz | 1.47 | 440 |
| RB855-391K-RC | 390 | 10% | 1 KHz | 1.67 | 410 |
| RB855-471K-RC | 470 | 10% | 1 KHz | 1.95 | 380 |
| RB855-561K-RC | 560 | 10% | 1 KHz | 2.83 | 350 |
| RB855-681K-RC | 680 | 10% | 1 KHz | 3.25 | 320 |
| RB855-821K-RC | 820 | 10% | 1 KHz | 3.82 | 310 |
| RB855-102K-RC | 1000 | 10% | 1 KHz | 5.28 | 250 |
| RB855-122K-RC | 1200 | 10% | 1 KHz | 6.03 | 230 |
| RB855-152K-RC | 1500 | 10% | 1 KHz | 7.15 | 210 |
| RB855-182K-RC | 1800 | 10% | 1 KHz | 8.26 | 200 |
| RB855-222K-RC | 2200 | 10% | 1 KHz | 11.1 | 180 |
| RB855-272K-RC | 2700 | 10% | 1 KHz | 13.1 | 160 |
| RB855-332K-RC | 3300 | 10% | 1 KHz | 15.9 | 140 |
| RB855-392K-RC | 3900 | 10% | 1 KHz | 18.0 | 130 |
| RB855-472K-RC | 4700 | 10% | 1 KHz | 23.9 | 120 |
| RB855-562K-RC | 5600 | 10% | 1 KHz | 26.8 | 110 |
| RB855-682K-RC | 6800 | 10% | 1 KHz | 31.7 | 98 |
| RB855-822K-RC | 8200 | 10% | 1 KHz | 46.5 | 88 |
| RB855-103K-RC | 10000 | 10% | 1 KHz | 55.7 | 81 |

All specifications subject to change without notice.

Features

- For R.F and other applications
- Extensive Inductance Range
- Tighter tolerance available

Electrical**Inductance Range:** -10 μ h ~ 10,000 μ h**Tolerance:** 10% over entire range.
Tighter tolerances available.**Test Frequency:** As shown**Operating Temperature:** -55°C to +125°C**DC Current:** Based on Inductance change by no more than 10% of initial value and Temperature rise of no more than 30°C of initial temperature within the coil body.

Under no circumstances should the temperature of the part increase to more than 125°C.

Test Equipment**Inductance:** CH-100 / HP4342A**DCR:** CH-301 Current Source & DCR Meter**Current:** CH-301 Current Source & DCRPhysical**Packaging:** 50 per bag**Marking:** EIA Inductance code