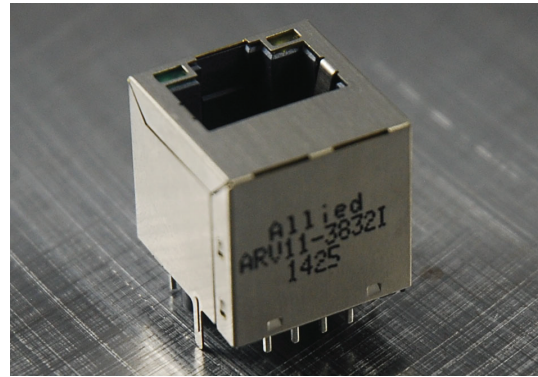




Single Port Vertical Mount RJ45

ARV11-3832I

- 10/100 BaseT PoE for Ethernet Applications
- RJ45 jack cavity conforms to FCC rules and regulations Part 68, SUB Part F
- Operating Temp: -40°C to +85°C
- Storage Temp: -40°C to +85°C



Electrical Specifications @ 25°C

OCL(μH Min) @ 100kHz, 0.1V With 8mA DC Bias	Turns Ratio @100KHz (±2%)	Insertion Loss (dB Max)	Return Loss (dB Min)				Cross Talk (dB Min)			
			1-100MHz	1-30MHz	30-60MHz	60-80MHz	10MHz	30MHz	50MHz	100MHz
350	1:1	-1.0	-18	-13.5	-12	-50	-40	-35	-30	

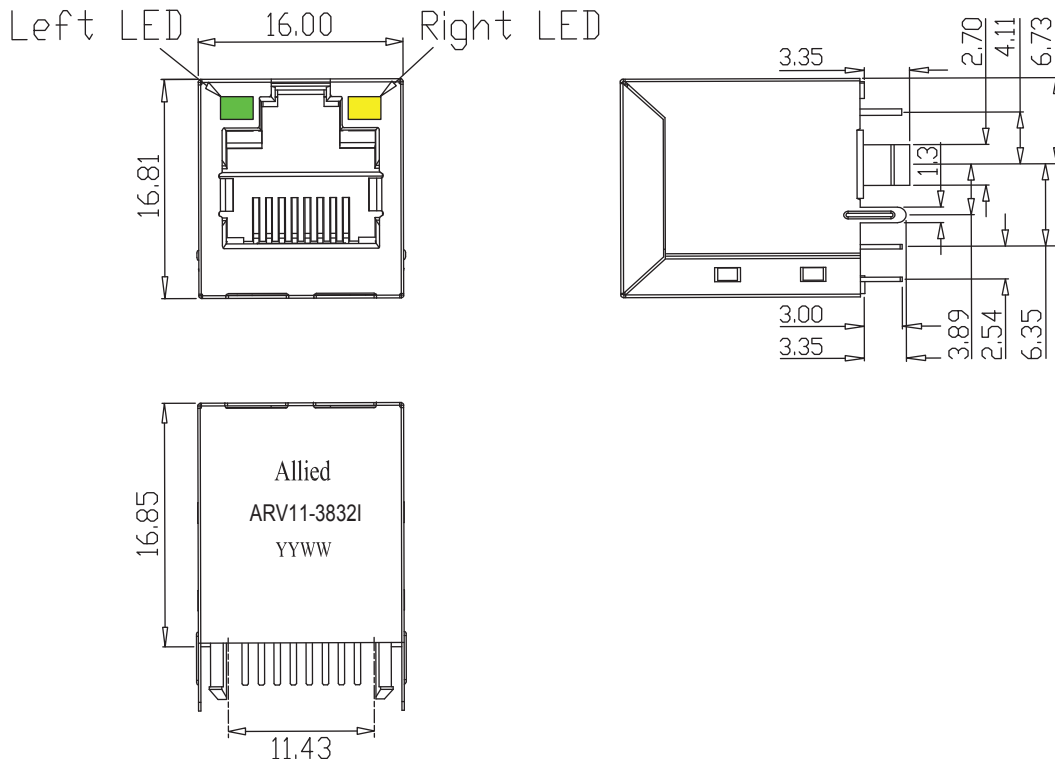
Electrical Specifications @ 25°C

CMR (dB Min)				CDMR (dB Min)				DC Resistance (Ω Max)	Isolation Phy Side to Line Side
10MHz	30MHz	60MHz	100MHz	10MHz	30MHz	60MHz	100MHz		
-47	-42	-37	-30	-50	-50	-45	-40	1.2	2250 VDC

All specifications subject to change without notice.

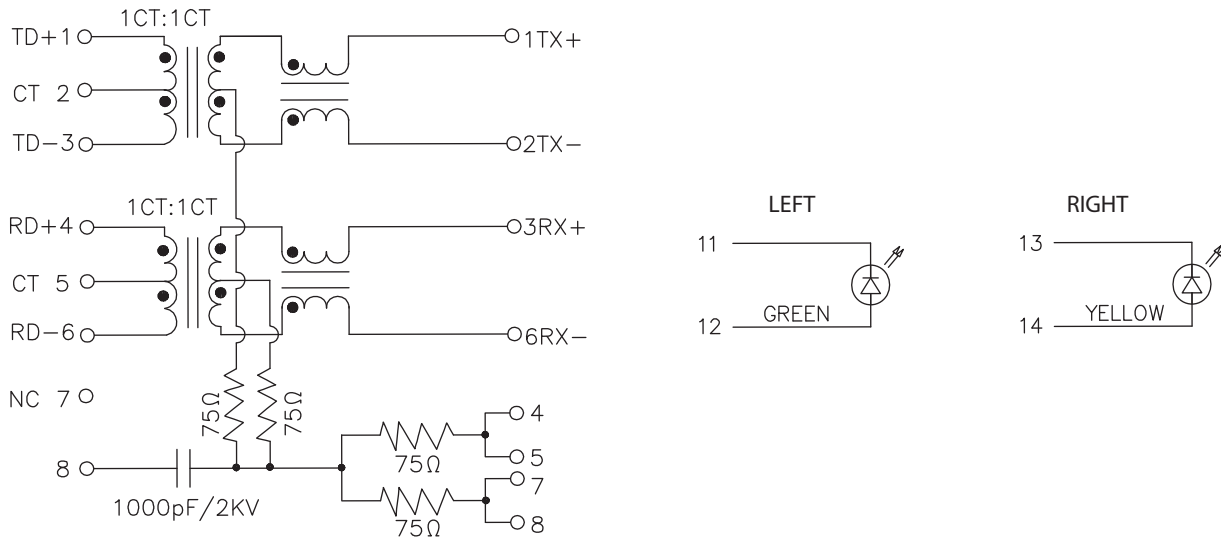
MECHANICAL

Dimensions: mm

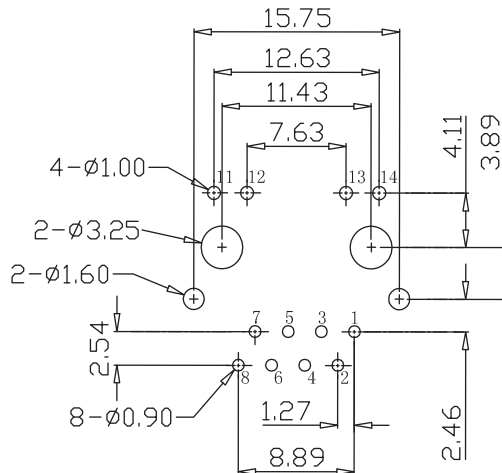




**SCHEMATICS**



**PCB LAYOUT**



**NOTES**

1. CONNECTOR MATERIAL:  
HOUSING: THERMOPLASTIC BLACK UL94V-0  
SHIELD: BRASS  
SHIELD PLATING: NICKEL  
CONTACT: PHOSPHOR BRONZE  
CONTACT PLATING: SELECTIVE GOLD, 6µ" MIN IN CONTACT AREA
2. PIN NOT ELECTRICALLY CONNECTED MAY BE OMITTED. SEE SCHEMATIC FOR OMITTED PINS
3. THE PART IS RECOMMENDED FOR WAVE SOLDERING PROCESS. PEAK SOLDERING TEMPERATURE IS 260°C MAX, 10 SEC MAX