

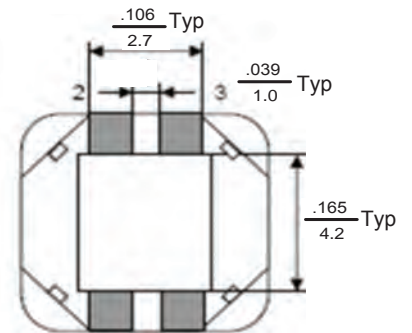
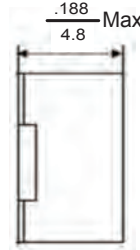
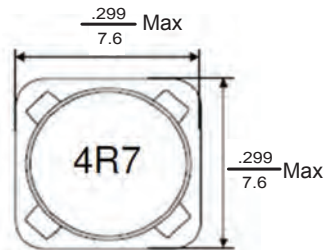


## Power Chip Shielded Inductors

## PCSDW74B2-4R7M-RC



Dimensions:  $\frac{\text{Inches}}{\text{(mm)}}$



Allied Part Number	L1, L2 ( $\mu\text{h}$ )	Test Freq. KHZ, 0.25V	RDC (L1, L2) ( $\Omega$ ) Max	SPF (MHZ) Typ	Isat (A)	Irms (A) Max
PCSDW74B2-4R7M-RC	4.7 $\pm$ 20%	1	.064	42	2.8	1.55

All specifications are subject to change without notice.

### Features

- Magnetically Shielded
- Low DC Resistance
- High Energy Storage
- Low Energy Loss
- Suitable for pick and place

### Electrical

**Inductance Range:** 4.7 $\mu\text{h}$ , additional values pending

**Tolerance:** 20% over entire range, also available in 10%

**Test Frequency:** 1KHz, 0.25V

**Operating Temp:** -40°C ~ +105°C

**Isat:** Drop by 10% Typical

**Irms:** Current at which the temp will rise by no more than 40°C

### Resistance to Soldering Heat

Pre-Heat 150°C, 1 Min.

**Solder Composition:** SN/Ag3.0/Cu0.5

**Solder Temp:** 260°C  $\pm$  5°C

**Immersion time:** 10 sec.  $\pm$  1 sec.

### Test Equipment

**(L):** HP4284A

**(RDC):** Chen Hwa 502

**(IDC):** Chen Hwa 1061 + Chen Hwa 301A  
or HP4284A + HP42841A

### Physical

**Packaging:** 1000 pieces per 13 inch reel.

**Marking:** EIA Inductance Code