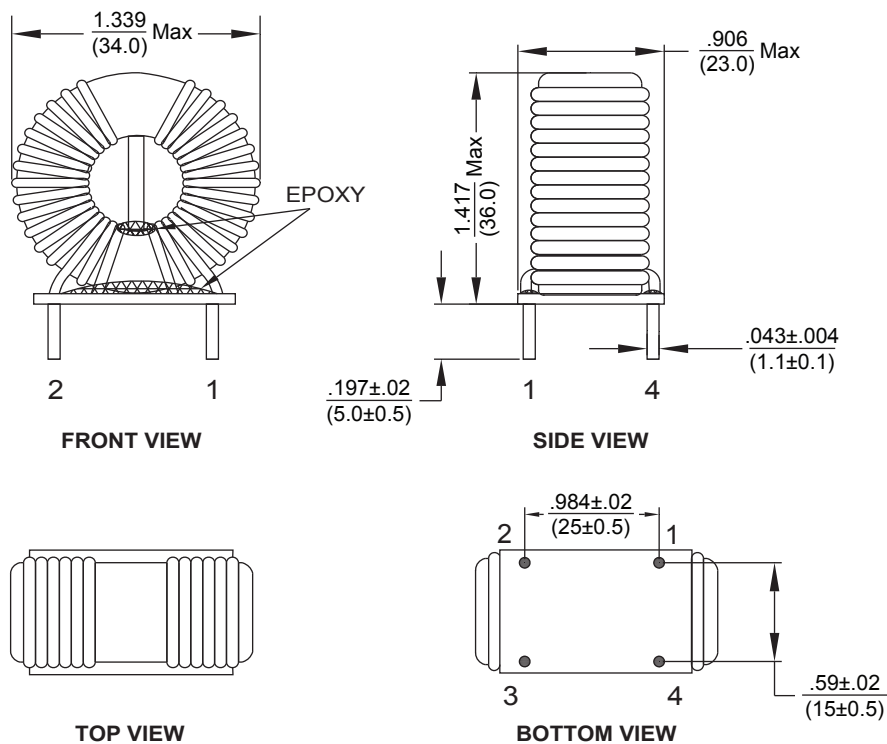


- Solid Base for Stable Mounting
- Fixed pins for easy PCB insertion
- Operating temp: -40°C to +125°C

Electrical Specifications @25°C					
Allied Part Number	Inductance (N1=N2) +50%/-30%	Frequency KHz @ 0.1V	Inductance Balance (L1 - L2) mH Max	DC Resistance (mΩ Max)	Hi-Pot Test Coil to Coil 5mA, 2 Sec
VCMB3423-123	12mH	10.0	0.3	15	1500VAC

All specifications subject to change without notice.

MECHANICAL



SCHEMATICS

