



Surface Mount Air Core Inductors SMAC20 & 30

Dimensions: $\frac{\text{Inches}}{\text{(mm)}}$



Features

- Excellent for high Q applications
- High SRF's for high frequency applications
- High current capability
- Flat top cap for pick and place assembly

Electrical

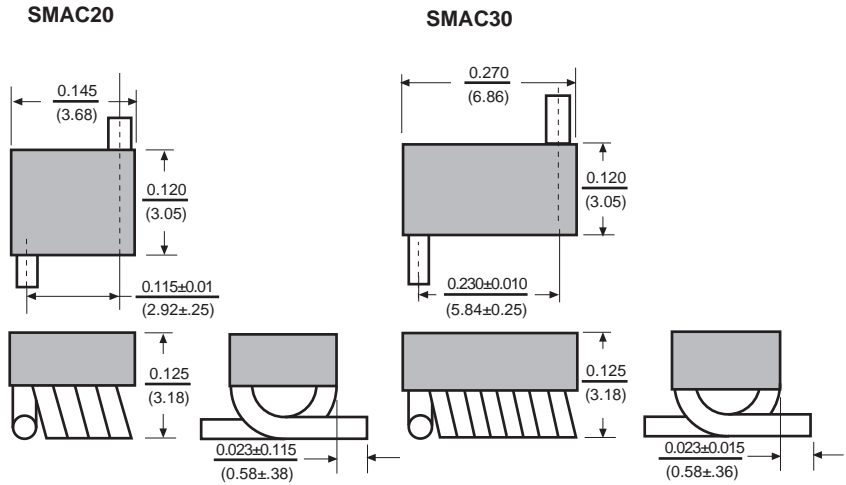
Impedance range: 2.5nH to 43nH
Tolerance: 2.5nH & 5.0nH 10%, 5.0nH to 43nH available in 5%, 8nH to 43nH available in 2%
Test Frequency: 150Mhz
Operating Temp: -40°C to +125°C

Test Equipment

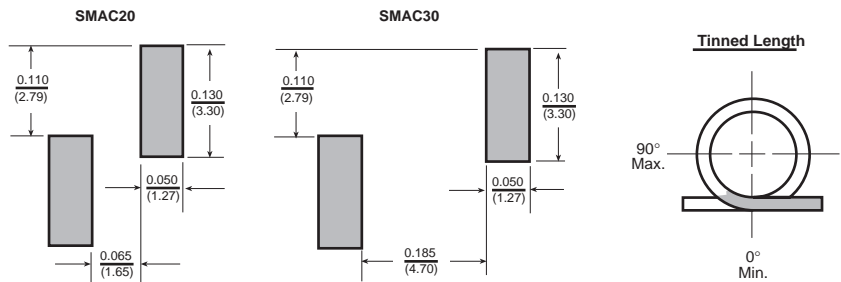
(L/Q): HP4291B with HP16193
(SRF): HP8753E or HP8720D

Physical

Packaging: 2200 pieces per 13" reel
Marking: None



Nominal Footprint



Allied Part Number	Turns	Inductance (nh)	Q Min.	Test Freq. (MHz)	SRF Min. (GHz)	DCR Max. (mΩ)	IDC A (Max.)
SMAC20-1K-RC	1	2.5	145	150	12.5	1.1	4
SMAC20-2K-RC	2	5.0	140	150	6.5	1.8	4
SMAC20-3()-RC	3	8.0	140	150	5.0	2.6	4
SMAC20-4()-RC	4	12.5	137	150	3.3	3.4	4
SMAC20-5()-RC	5	18.5	132	150	2.5	3.9	4
SMAC30-6()-RC	6	17.5	100	150	2.2	4.5	4
SMAC30-7()-RC	7	22.0	102	150	2.1	5.2	4
SMAC30-8()-RC	8	28.0	105	150	1.8	6.0	4
SMAC30-9()-RC	9	35.5	112	150	1.5	6.8	4
SMAC30-10()-RC	10	43.0	106	150	1.2	7.9	4

To complete part number insert tolerance designator: G=±2%, J=±5%, K=±10%

All specifications subject to change without notice.