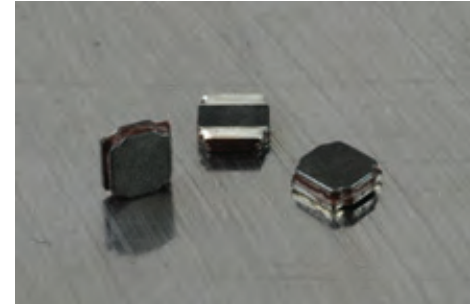
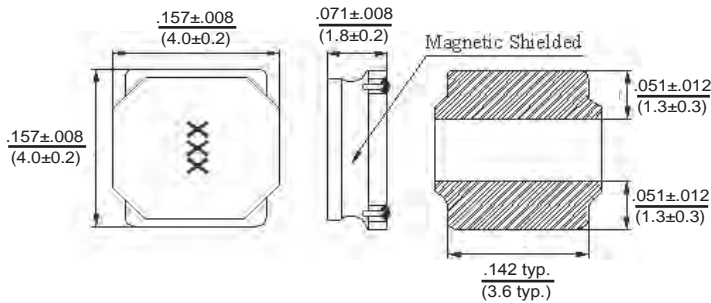




## SMD SHIELDED POWER CHIP INDUCTOR

PCSV48

Dimensions: Inches  
(mm)

Allied Part Number	Inductance (μh)	Tolerance (%)	Test Freq. Khz, 1V	RDC (mΩ) ±20%	Isat (A) Typ.	Irms (A) Typ.	Marking
PCSV48-1R0T-RC	1.0	30	100	32	4.1	2.8	1R0
PCSV48-1R5T-RC	1.5	30	100	40	3.3	2.6	1R5
PCSV48-2R2M-RC	2.2	20	100	60	2.8	2.5	2R2
PCSV48-2R3M-RC	2.3	20	100	60	2.8	2.5	2R3
PCSV48-3R3M-RC	3.3	20	100	70	2.2	2.1	3R3
PCSV48-3R6M-RC	3.6	20	100	75	2.1	1.9	3R6
PCSV48-3R9M-RC	3.9	20	100	75	2.1	1.9	3R9
PCSV48-4R7M-RC	4.7	20	100	90	2.0	1.7	4R7
PCSV48-6R8M-RC	6.8	20	100	110	1.6	1.5	6R8
PCSV48-100M-RC	10	20	100	170	1.4	1.2	100
PCSV48-150M-RC	15	20	100	250	1.0	1.0	150
PCSV48-220M-RC	22	20	100	350	0.9	.85	220
PCSV48-330M-RC	33	20	100	530	0.8	.70	330
PCSV48-470M-RC	47	20	100	720	0.7	.56	470
PCSV48-680M-RC	68	20	100	1000	.56	.45	680
PCSV48-101M-RC	100	20	100	1500	.46	.38	101
PCSV48-151M-RC	150	20	100	2500	.35	.30	151
PCSV48-221M-RC	220	20	100	4000	.28	.23	221

All specifications subject to change without notice.

Features

- Magnetically Shielded Construction
- Ultra Low Profile

Electrical

**Inductance Range:** 1.0μh ~ 220μh (other values being added)

**Tolerance:** Available in 20% and 30% tolerances

**Operating Temp:** -40°C ~ +105°C

**Isat:** Current at which the Inductance will drop by no more than 30% of its initial value.

**Irms:** Based on a temp rise of ΔT = 40°C typical at 25°C Ambient.

Resistance to Soldering Heat

Pre-Heat 150°C, 1 Min.

**Solder Composition:** Sn/Ag3.0/Cu0.5

**Solder Temp:** 260°C +/- 5°C for 10 sec

Test Equipment

**(L):** Agilent/HP4284A + Agilent/HP16334A

**(RDC):** Chroma MilliOhm Meter Mode16502

**Current:** Isat: HP4284A + HP42841A

Irms: Agilent 6641 System DC Power Supply

Physical

**Packaging:** 800 per Tape and reel

**Marking:** EIA Inductance Code