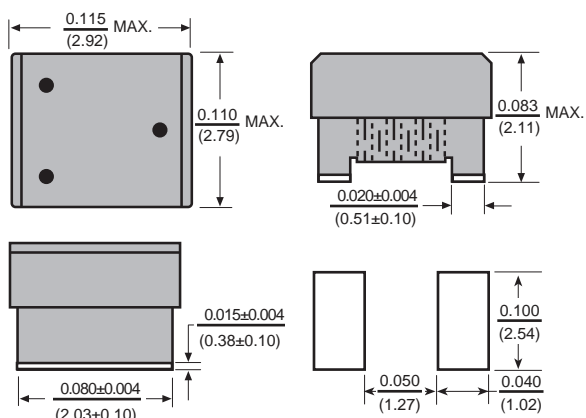


# FC10 Ferrite Core Chip Inductors



Dimensions:  $\frac{\text{Inches}}{\text{(mm)}}$



Allied Part Number	Inductance (μh)	Tolerance (%)	Q Min.	Test Freq. (MHz)	SRF Min. (MHz)	DCR Max. (Ω)	Rated Current (mA)
FC10-R005K-RC	.005	10	10	100	3000	0.25	2000
FC10-R010K-RC	.010	10	10	100	2500	0.25	1800
FC10-R012K-RC	.012	10	15	100	2400	0.26	1700
FC10-R015K-RC	.015	10	15	100	2300	0.28	1600
FC10-R018K-RC	.018	10	15	100	2200	0.30	1550
FC10-R022K-RC	.022	10	20	100	2100	0.35	1500
FC10-R027K-RC	.027	10	20	100	2000	0.40	1450
FC10-R033K-RC	.033	10	30	100	1600	0.42	1400
FC10-R039K-RC	.039	10	35	100	1500	0.45	1350
FC10-R047K-RC	.047	10	35	100	1400	0.50	1300
FC10-R056K-RC	.056	10	35	100	1300	0.60	1250
FC10-R068K-RC	.068	10	35	100	1200	0.65	1240
FC10-R082K-RC	.082	10	35	100	1100	0.75	1230
FC10-R10K-RC	.10	10	35	100	800	0.80	1220
FC10-R12K-RC	.12	10	30	25.2	700	0.30	900
FC10-R15K-RC	.15	10	30	25.2	550	0.35	900
FC10-R18K-RC	.18	10	30	25.2	500	0.40	850
FC10-R22K-RC	.22	10	30	25.2	450	0.50	840
FC10-R27K-RC	.27	10	30	25.2	425	0.55	830
FC10-R33K-RC	.33	10	30	25.2	400	0.60	820
FC10-R39K-RC	.39	10	30	25.2	375	0.65	810
FC10-R47K-RC	.47	10	30	25.2	350	0.68	800
FC10-R56K-RC	.56	10	30	25.2	325	0.75	800
FC10-R68K-RC	.68	10	30	25.2	300	0.85	800
FC10-R82K-RC	.82	10	30	25.2	260	1.00	800
FC10-1R0K-RC	1.0	10	25	7.96	245	1.10	800
FC10-1R2K-RC	1.2	10	25	7.96	230	1.20	790
FC10-1R5K-RC	1.5	10	25	7.96	182	1.30	750
FC10-1R8K-RC	1.8	10	25	7.96	135	1.45	750
FC10-2R2K-RC	2.2	10	25	7.96	105	1.55	750
FC10-2R7K-RC	2.7	10	25	7.96	70	1.70	740
FC10-3R3K-RC	3.3	10	25	7.96	55	1.90	730
FC10-3R9K-RC	3.9	10	25	7.96	48	2.10	700
FC10-4R7K-RC	4.7	10	25	7.96	43	2.30	650
FC10-5R6K-RC	5.6	10	20	7.96	42	2.50	640
FC10-6R8K-RC	6.8	10	20	7.96	39	2.70	630
FC10-8R2K-RC	8.2	10	20	7.96	36	3.05	600
FC10-100K-RC	10	10	15	2.52	33	3.50	600
FC10-120K-RC	12	10	15	2.52	30	3.80	550
FC10-150K-RC	15	10	15	2.52	26	4.40	430
FC10-180K-RC	18	10	15	2.52	24	4.80	400
FC10-220K-RC	22	10	15	2.52	22	5.50	400
FC10-270K-RC	27	10	15	2.52	21	6.30	360
FC10-330K-RC	33	10	15	2.52	20	7.10	350
FC10-390K-RC	39	10	10	2.52	18	9.50	330
FC10-470K-RC	47	10	10	2.52	17	11.1	300
FC10-560K-RC	56	10	10	2.52	16	12.1	270
FC10-680K-RC	68	10	10	2.52	15	16.6	250
FC10-820K-RC	82	10	10	2.52	13	19.0	200
FC10-101K-RC	100	10	8	.796	12	21.0	120

Available in tighter tolerances.

All specifications subject to change without notice.

## Features

- Excellent solderability and resistance to soldering heat
- Suitable for flow and reflow soldering
- High reliability and easy surface mount assembly
- Wide inductance value range

## Electrical

**Inductance Range:** .005μh to 100μh.

**Tolerance:** For 10% use K and 5% use J as part number suffix.

**Operating Temp. Range:** -25° to +85°C.

**Test Equipment:** Inductance, Q and DCR, tested on an HP4286A. SRF tested on an HP8753D and HP4286A.

## Physical

**Marking:** Color Code using standard EIA three dot system.

**Packaging:** 2000 pieces per 7 inch reel.