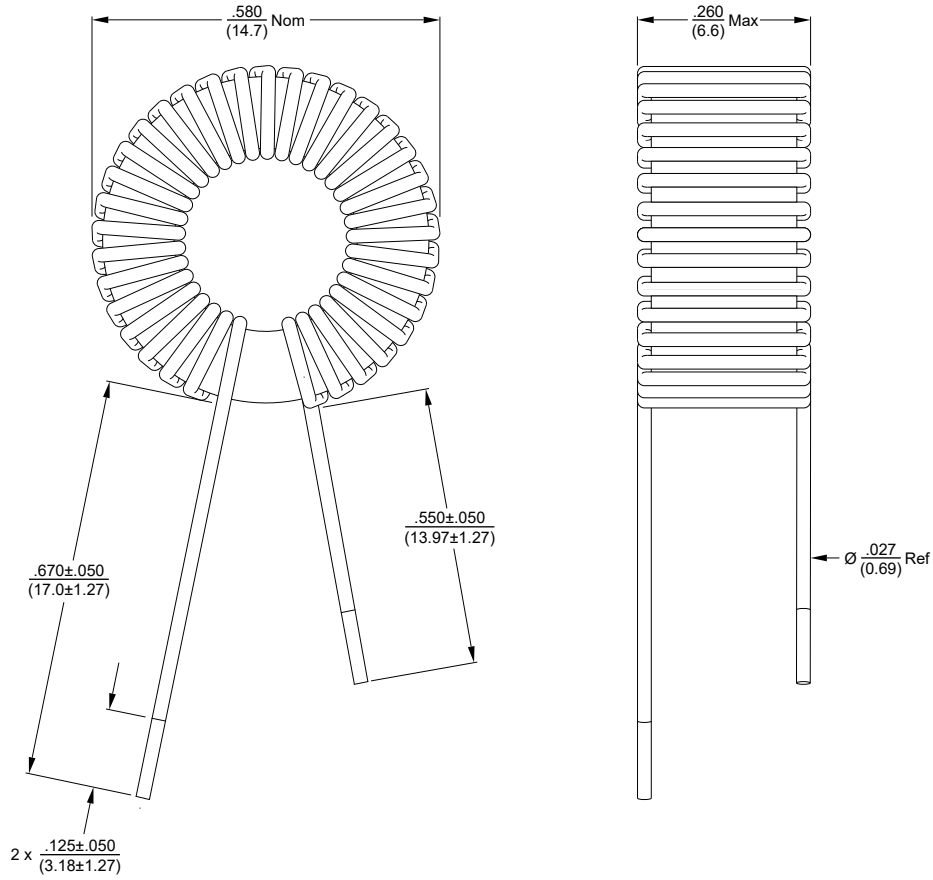


MECHANICAL

Dimensions: $\frac{\text{inch}}{\text{(mm)}}$



ELECTRICAL

Inductance: $0.67 \mu\text{H} \pm 5\%$
Test Freq.: 1KHz, 1.0V
DCR: 28mΩ Max
Operating Temp Range: -55°C to +105°C

Rev.	Date	Description	By

Part Number: CS4724-RC
 Description: $0.67 \mu\text{H} \pm 5\%$ Toroid Inductor
 RoHS Compliant



19671 Descartes
 Foothill Ranch, CA 92610
 Ph: (949) 356-1780
www.alliedcomponents.com

Date: January 4, 2021
 Page: 1 of 1

