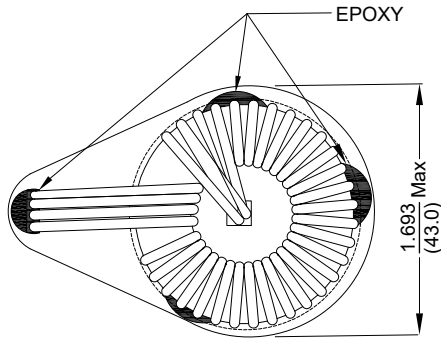
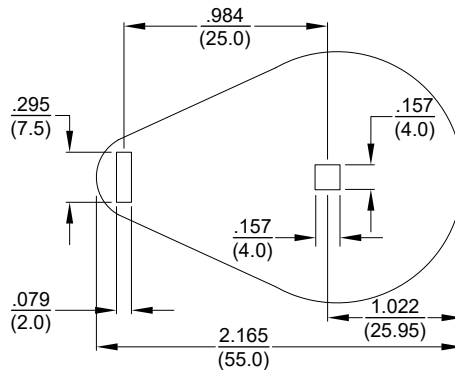


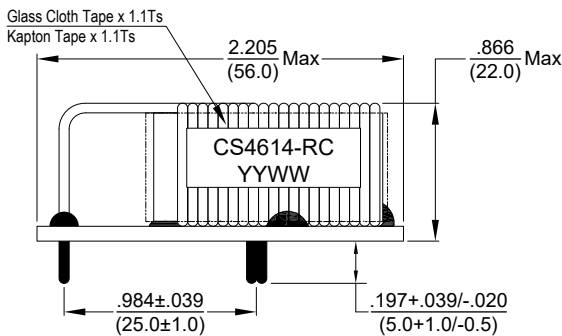
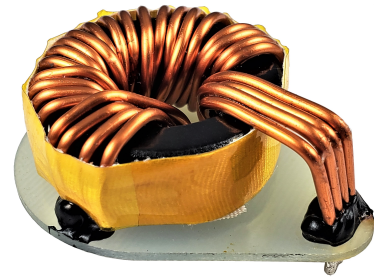
DIMENSIONS: (mm)



TOP VIEW

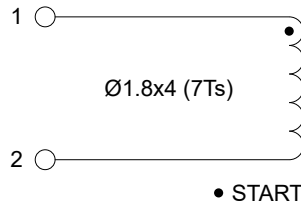


PCB LAYOUT



SIDE VIEW

SCHEMATIC



SPECIFICATIONS:

1. ELECTRICAL SPECS

S - F	INDUCTANCE F = 100KHz, 1.0Vrms 25°C	DC - BIAS F = 100KHz, 1.0Vrms (A)	Q 100KHz 1.0Vrms	LAYER SHORT	DCR @25°C (Max)	TURNS RATIO
1 - 2	3.0µH Min.	--	--	--	2.0mΩ	7Ts

3. HI-POT/INSULATION RESISTANCE

LOCAT. DESC.	COIL - COIL	PRI - SEC	SEC - SEC	PRI - CORE	COIL - CORE
HI-POT (50Hz/60Hz)	--	--	--	--	1000Vac 5mA, 3Sec

Rev.	Date	Description	By

Part Number: CS4614-RC
 Description: 3.0µH Min Horizontal
 Mnt Toroidal Inductor
 RoHS Compliant



19671 Descartes
 Foothill Ranch, CA 92610
 Ph: (949) 356-1780
www.alliedcomponents.com

Date: April 25, 2019
 Page: 1 of 1

