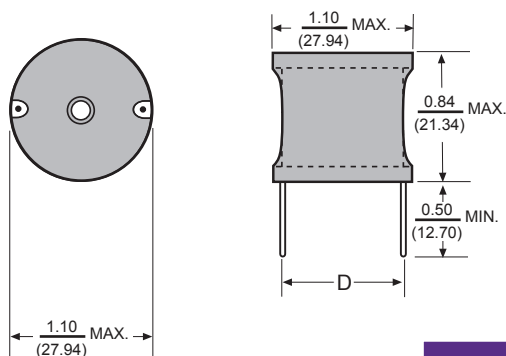
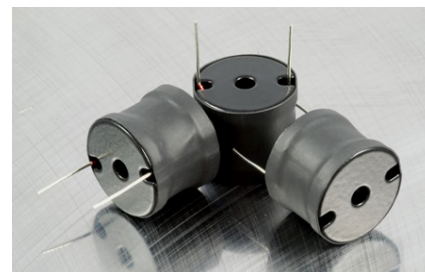


RDC30 Radial Drum Core Inductors



Dimensions: $\frac{\text{Inches}}{\text{(mm)}}$



Features

- Radial Leads for direct Printed Circuit Board mounting.
- Pre-tinned leads.
- Inductance range from 1.0 μ h to 2700 μ h. Also available in non-standard inductance values.
- Current rating range from 2.3 to 116 amps DC.
- Ideal for use in switching power supplies, filter networks and power amplifiers.

Electrical

Inductance: measured at 1KHz, 1V.

Saturation Current: Lowers inductance by 10%.

Temperature rise: $\Delta T=50^{\circ}\text{C}$ rise typical at IDC.

Mechanical

Leads are tinned to within 1/16 in. of body.

Coils are finished with UL-VW-1 rated sleeving.

Physical

Packaging: 25 pieces per bag.

Allied Part Number	Inductance (μ h)	Tolerance	DCR Max. (Ω)	Saturation Current (A) DC	IDC (A)	Lead O.D. inch	Dimension (D) inch
RDC30-1R0K-RC	1.0	30	.003	116.0	21.0	0.084	.800
RDC30-1R2K-RC	1.2	20	.003	116.0	21.0	0.084	.800
RDC30-1R5K-RC	1.5	20	.003	116.0	21.0	0.084	.800
RDC30-1R8K-RC	1.8	20	.003	90.0	21.0	0.084	.800
RDC30-2R2K-RC	2.2	20	.003	90.0	21.0	0.084	.800
RDC30-2R7K-RC	2.7	20	.003	74.0	21.0	0.084	.800
RDC30-3R3K-RC	3.3	20	.003	74.0	21.0	0.084	.800
RDC30-3R9K-RC	3.9	20	.003	62.0	21.0	0.084	.800
RDC30-4R7K-RC	4.7	20	.003	54.0	21.0	0.084	.800
RDC30-5R6K-RC	5.6	20	.003	54.0	21.0	0.084	.800
RDC30-6R8K-RC	6.8	20	.004	47.0	21.0	0.084	.800
RDC30-8R2K-RC	8.2	20	.004	42.0	21.0	0.084	.800
RDC30-100K-RC	10	20	.006	38.0	17.0	0.084	.700
RDC30-120K-RC	12	10	.008	35.0	13.5	0.075	.690
RDC30-150K-RC	15	10	.009	32.0	13.5	0.068	.690
RDC30-180K-RC	18	10	.010	29.0	13.5	0.068	.690
RDC30-220K-RC	22	10	.011	25.0	13.5	0.068	.790
RDC30-270K-RC	27	10	.012	23.0	13.5	0.068	.790
RDC30-330K-RC	33	10	.017	20.0	13.5	0.060	.790
RDC30-390K-RC	39	10	.022	19.0	11.4	0.054	.790
RDC30-470K-RC	47	10	.024	19.1	9.00	0.054	.750
RDC30-560K-RC	56	10	.026	17.5	9.00	0.054	.750
RDC30-680K-RC	68	10	.029	15.6	9.00	0.054	.750
RDC30-820K-RC	82	10	.032	14.0	9.00	0.054	.750
RDC30-101K-RC	100	10	.034	13.2	9.00	0.054	.781
RDC30-121K-RC	120	10	.046	12.1	7.20	0.051	.750
RDC30-151K-RC	150	10	.064	10.8	5.50	0.043	.781
RDC30-181K-RC	180	10	.072	9.7	5.50	0.043	.781
RDC30-221K-RC	220	10	.080	8.7	5.50	0.041	.750
RDC30-271K-RC	270	10	.110	7.9	4.50	0.041	.812
RDC30-331K-RC	330	10	.122	7.1	4.50	0.039	.750
RDC30-391K-RC	390	10	.169	6.7	4.00	0.039	.750
RDC30-471K-RC	470	10	.187	6.0	4.00	0.035	.750
RDC30-561K-RC	560	10	.205	5.5	4.00	0.035	.750
RDC30-681K-RC	680	10	.256	5.0	2.80	0.035	.718
RDC30-821K-RC	820	10	.288	4.5	2.80	0.031	.843
RDC30-102K-RC	1000	10	.426	4.1	2.00	0.031	.750
RDC30-122K-RC	1200	10	.462	3.7	2.00	0.028	.750
RDC30-152K-RC	1500	10	.518	3.4	2.00	0.028	.750
RDC30-182K-RC	1800	10	.705	2.8	1.60	0.022	.770
RDC30-222K-RC	2200	10	1.020	2.5	1.30	0.022	.770
RDC30-272K-RC	2700	10	1.140	2.3	1.30	0.022	.770
RDC30-332K-RC	3300	10	1.270	2.0	1.30	.022	.770
RDC30-392K-RC	3900	10	1.670	1.8	1.00	0.020	.770
RDC30-472K-RC	4700	10	1.860	1.7	1.00	0.020	.770

All specifications subject to change without notice.