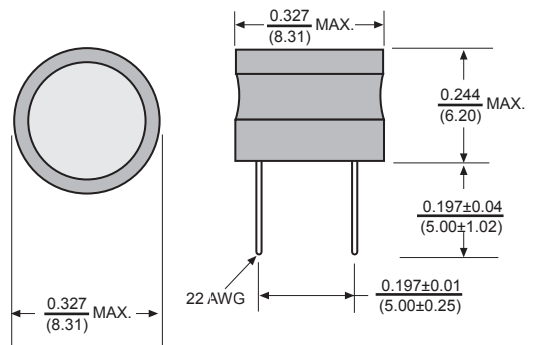
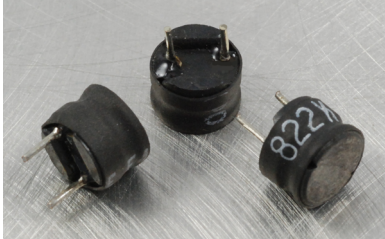




Radial Bobbin Inductors RB20

Dimensions: $\frac{\text{Inches}}{\text{(mm)}}$



Allied Part Number	Inductance (μh)	Tolerance (%)	Q Min.	Test Freq. (MHz)	SRF Min. (MHz)	DCR Max. (Ω)	Rated Current (mA)
RB20-101K-RC	100	10	60	0.796	6.1	2.0	200
RB20-121K-RC	120	10	60	0.796	5.5	3.0	200
RB20-151K-RC	150	10	60	0.796	5.0	3.0	200
RB20-181K-RC	180	10	60	0.796	4.7	3.0	200
RB20-221K-RC	220	10	60	0.796	4.5	3.0	150
RB20-271K-RC	270	10	60	0.796	4.1	3.0	150
RB20-331K-RC	330	10	60	0.796	3.8	4.0	150
RB20-391K-RC	390	10	60	0.796	3.5	4.0	100
RB20-471K-RC	470	10	60	0.796	3.2	5.0	100
RB20-561K-RC	560	10	60	0.796	2.9	6.0	100
RB20-681K-RC	680	10	60	0.796	2.7	6.0	100
RB20-821K-RC	820	10	60	0.796	2.3	7.0	50
RB20-102K-RC	1000	10	80	0.252	2.1	9.0	50
RB20-122K-RC	1200	10	80	0.252	1.9	9.0	50
RB20-152K-RC	1500	10	80	0.252	1.8	11.0	50
RB20-182K-RC	1800	10	80	0.252	1.6	12.0	50
RB20-222K-RC	2200	10	80	0.252	1.5	14.0	50
RB20-272K-RC	2700	10	80	0.252	1.4	15.0	50
RB20-332K-RC	3300	10	80	0.252	0.9	25.0	40
RB20-392K-RC	3900	10	80	0.252	0.9	30.0	40
RB20-472K-RC	4700	10	80	0.252	0.8	32.0	40
RB20-562K-RC	5600	10	80	0.252	0.7	36.0	30
RB20-682K-RC	6800	10	80	0.252	0.7	40.0	30
RB20-822K-RC	8200	10	80	0.252	0.6	45.0	30
RB20-103K-RC	10000	10	60	0.0796	0.6	55.0	20
RB20-123K-RC	12000	10	60	0.0796	0.5	65.0	20
RB20-153K-RC	15000	10	60	0.0796	0.5	80.0	20

All specifications subject to change without notice.

Features

- Radial leaded pre-tinned leads.
- Protected with UL polyolefin shrink tubing.
- Non-standard values and tolerances available.

Electrical

Inductance Range: 100 μh to 15000 μh .

Tolerance: 10% over entire inductance range. Tighter tolerances available.

Inductance Drop: 10% typical at the rated current.

Operating Temp: -25°C to + 105°C

Physical

Packaging: 100 pieces per box.

Marking: EIA Inductance Code.