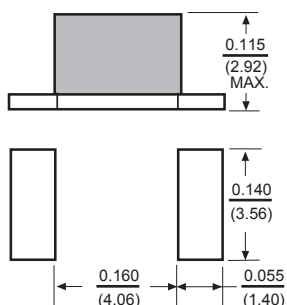
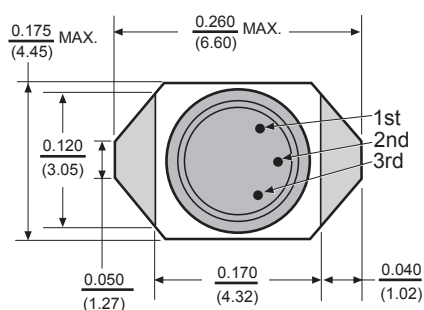
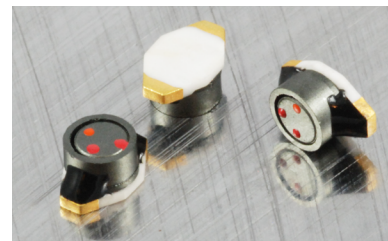


# PCSB20 Power Chip Shielded Backlight Inductors



Dimensions: Inches  
(mm)



## Features

- Designed for use in back light applications
- Ultra miniature size for high density mounting
- Magnetically shielded
- Designed with heat resistant materials for reflow operation
- Flat top for pick and place assembly
- Non standard values are available

## Electrical

**Inductance Range:** 100 $\mu$ h to 10000 $\mu$ h.

**Tolerance:**  $\pm$  20% over the entire inductance range.

**Test Frequency:** Inductance measured at 100KHz, 0.1 Vrms.

**Operating Temp. Range:** -40° to +85°C.

## Physical

**Marking:** Color Code using standard EIA three dot system.

**Packaging:** 2500 pieces per 13 inch reel.

Allied Part Number	Inductance ( $\mu$ h)	Tolerance (%)	SRF Reference (MHz)	DCR Max. ( $\Omega$ )	*Rated Current Irms (mA)
PCSB20-101M-RC	100	20	12	.95	220
PCSB20-151M-RC	150	20	10	1.4	200
PCSB20-221M-RC	220	20	8	1.7	180
PCSB20-331M-RC	330	20	6	2.2	160
PCSB20-471M-RC	470	20	5	3.8	140
PCSB20-681M-RC	680	20	4	4.9	120
PCSB20-102M-RC	1000	20	2	9	100
PCSB20-152M-RC	1500	20	1	11	80
PCSB20-222M-RC	2200	20	1	19	50
PCSB20-332M-RC	3300	20	1	24	40
PCSB20-472M-RC	4700	20	1	30	30
PCSB20-682M-RC	6800	20	0.9	56	20
PCSB20-103M-RC	10000	20	0.8	74	10

\*Temperature rise shall not be more than 30°C at Irms.  
All specifications subject to change without notice.