

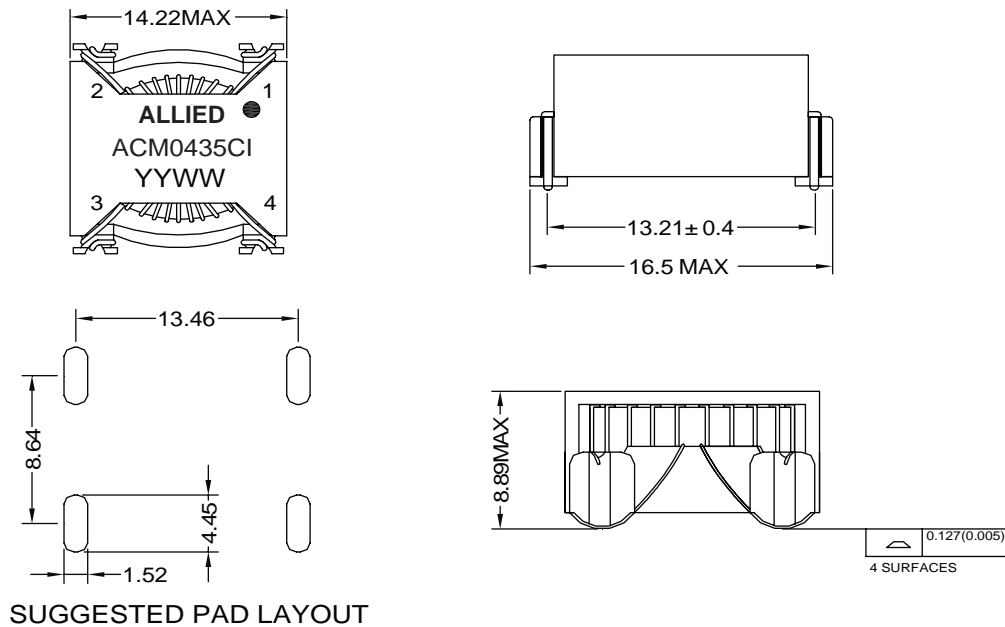


- Common mode choke for power application
- High Impedance to minimize common mode noise
- Excellent EMI performance
- Industrial temperature: -40°C to +85°C

| Electrical Specifications @25°C | | | | | | |
|--|-----------------|----------------|-------------------------|-----------|-----------|--------------|
| Leakage Inductance @ 100KHz, 1.0V (1-2) with (4-3) shorted | OCL @10KHz/0.1V | Current Rating | Turns Ratio @10KHz/0.1V | DCR | | HI-POT |
| | (1-2) and (4-3) | (A) DC | 1-2:3-4 | 1-2 | 4-3 | (Vrms) |
| 45uh Max | 10mH ± 30% | 1.0 | 1:1 | 450mΩ MAX | 450mΩ MAX | 3000V 5mA 1s |

All specifications subject to change without notice.

MECHANICAL



Units: mm

SCHEMATICS

